

TAKEX PHOTOELECTRIC BEAM SENSOR [ANTI-CRAWL]

PB-IN-100AT : OUTDOOR 330 ft. (100m)

Instruction Manual

Thank you for purchasing our "intelligent" quad photoelectric beam.

This unit will provide long term, dependable service when properly installed.

Please read this Instruction Manual carefully for correct and effective use.

Please Note : This sensor is designed to detect intrusion and to initiate an alarm; it is not a burglary-preventing device.

TAKEX is not responsible for damage, injury or losses caused by accident, theft, Acts of God (including inductive surge by lightning), abuse, misuse, abnormal usage, faulty installation of improper maintenance.

[FEATURE]

The PB-IN-100AT beam is equipped with many features which provide a wide choice of field selectable options. These options result in considerable flexibility for a variety of application requirements.

● Anti-crawling

PB-IN-100AT is designed to prevent a crawling intrusion to coverage area by means of OR-gated detection in addition to AND-gated detection.

● Dual response time system

Two individual response times are provided for separate adjustment of AND/OR gates.

This enables detection of intruders but minimizes false alarms.

(AND gated : Set at faster response time)
(OR gated : Set at slower response time)

● High power infrared

The active infrared transmission is exceptionally strong with a maximum arrival distance ten times greater than the specified protection distance.

● Four frequency selections

4 separate choices of frequency avoids cross-talk in stacked or long linear installations. Allows stacking of Transmitters or Receivers all on one side.

● Beam transmission strength selection

2 levels of beam transmission strength which can be set to suit the protection distance.

● Auto-gain lock

Optimal sensitivity gain is automatically set at any coverage distance up to the maximum protection distance. (Audible tone indicates setting is completed.)

● Environmental module

Environmental trouble signal is sent when beam reception level is reduced below an acceptable level.

● Programmed AGC function

Sensitivity is automatically increased in bad weather to contend with fog, rain, or frost.

● Audible signal for alignment

An alignment tone aids in quick set-up of beams for electrical measurement of alignment.

● Other features

Monitor output, Tamper output, Beam selector

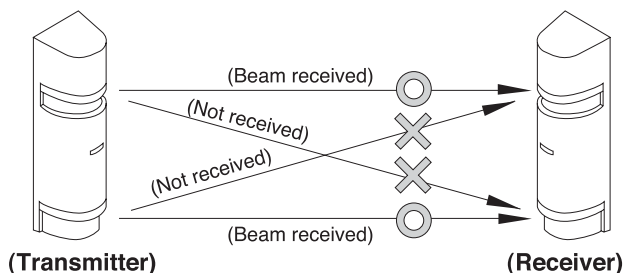
[BASIC OPERATION DESCRIPTION]

This anti-crawl sensor was developed for high security applications to detect a crawling intrusion and are based on our PB-IN-HF series quad photoelectric beam sensors.

(Basic system)

Transmitters project separate double pulse modulated beams of different pulse pattern.

Receivers only respond to the individual transmitted beam.



(Basic operation)

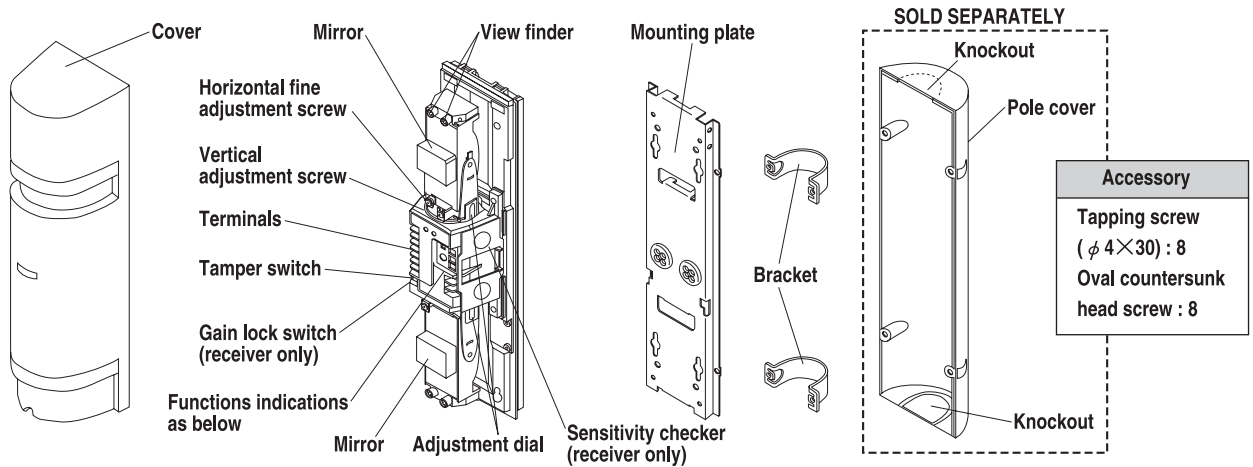
The following basic operation is required to detect a crawling intrusion and minimize false alarms.

Individual beam detection : An alarm is not initiated by instantaneous beam interruption, but an alarm is initiated when the interruption continues during a set response time. [OR gated]
The response time should be set at a time which will detect crawling intrusion and minimize false alarm risk due to small animals.

All beam detection : An alarm is initiated when both sets of beams are interrupted during a set response time. [AND gated]

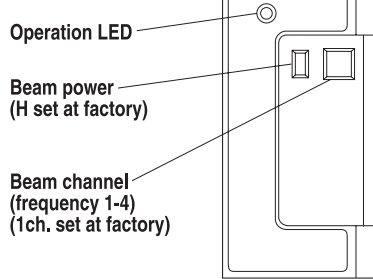
- 1) Response timeSeparately adjustable for AND-gated or OR-gated on receiver unit.
- 2) 4 channel frequency selection is available. (Anti-crawl sensor can be used for multi-stacked / linear protection.)

1 PARTS DESCRIPTION

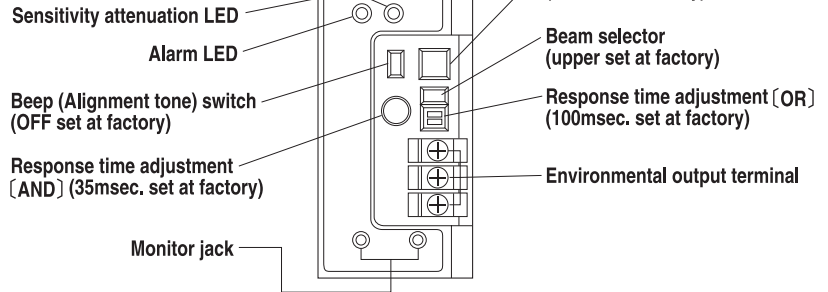


Functions / Indications

[Transmitter]



[Receiver]

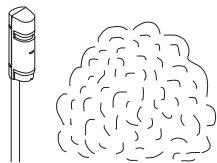


2 INSTALLATION

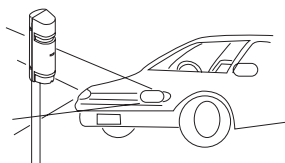
1. Cautions

Position the sensor with consideration to installation site, installation height and protection distance for effective use.

1) DON'T'S



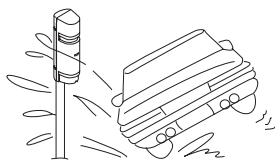
- Do not install in a site where beam may be interrupted by trees or plants, consider seasonal changes.



- Avoid strong light from sun, automobile headlights etc. shining on transmitter or receiver (Avoid light in a direct path of $\pm 2^\circ$ of optical axis.)

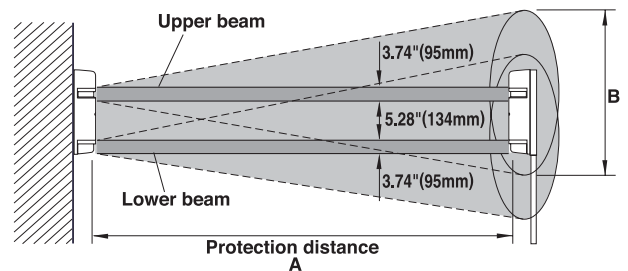


- Do not install the unit on unsteady surfaces.



- Do not install in places where unit may be splashed continuously by dirty water or direct sea spray. (Causes dirt or salt build-up on enclosures.)

2) Installation height and protection distance



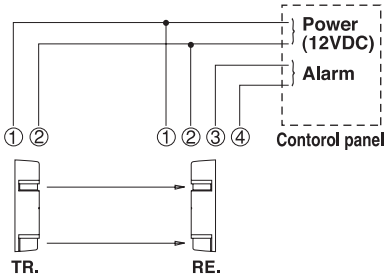
- Take into consideration the beam spread to avoid potential reflection from ground surface or nearby objects.

A	B
330' (100m) or less	8' (2.4m)

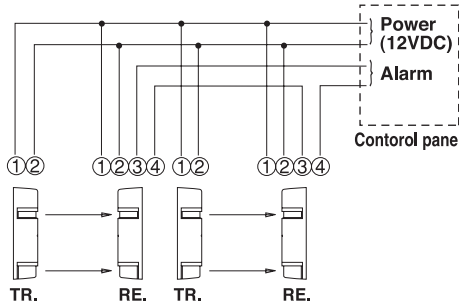
2. Wiring

Connecting power to both transmitter and receiver wiring differs depending on number of sensors or number of zones. Wire size also differs depending on distance between sensor and control panel / power source. Wiring shall be in accordance with NFPA-70 of the National Electrical Code.

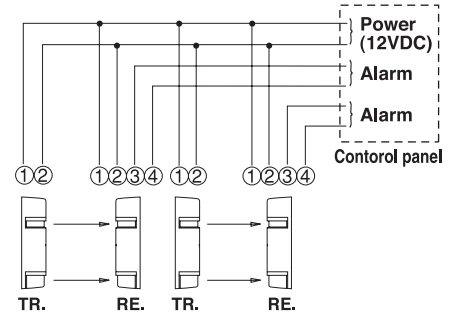
1) Standard connection.



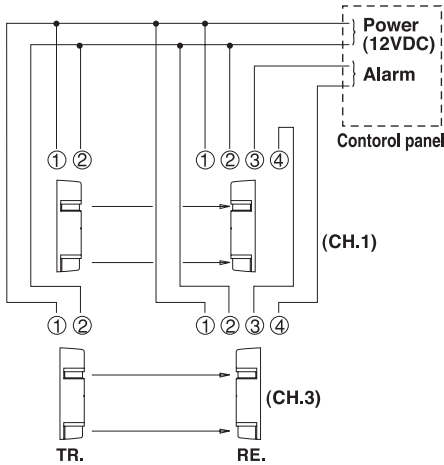
2) When 2 or more sensors are connected on the same zone.



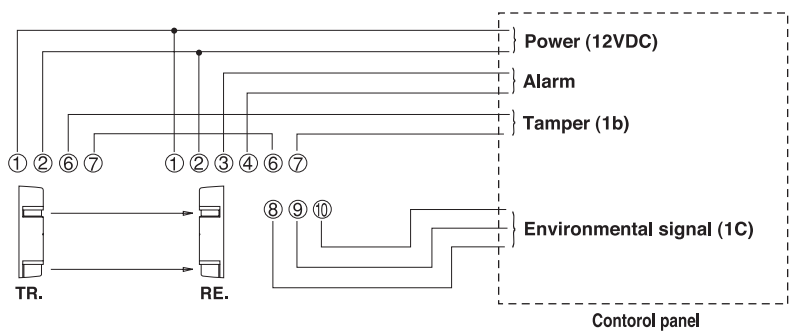
3) When 2 or more sensors are on separate zone.



4) 2-stacked standard connection.



5) When environmental module is used.



[Cautions on wiring]

- Signal output on receiver can not be used independently for the upper / lower optics, only as a set.
- Outdoor wiring should be in PVC if below ground or use direct burial cable. Conduit should be used for above ground wiring.

Note) Refer to 5. FUNCTIONS DESCRIPTION for beam channel (beam frequency selection).

6) Wiring Distance between sensor and control panel.

wire size	voltage	12V	24V
AWG22 (Dia.0.65mm)		330' (100m)	2950' (899m)
AWG20 (Dia.0.8mm)		530' (160m)	5000' (1500m)
AWG18 (Dia.1.0mm)		830' (250m)	7200' (2200m)
AWG17 (Dia.1.1mm)		1000' (300m)	8800' (2680m)
AWG16 (Dia.1.25mm)		1350' (400m)	11500' (3510m)
AWG15 (Dia.1.4mm)		1750' (534m)	15500' (4730m)
AWG14 (Dia.1.6mm)		2150' (655m)	20000' (6000m)

- When using this product in a Mercantile Burglar Alarm, UL681, tamper switch should be connected to a 24 hour supervisory loop.

Note 1)

Max. wiring distance when two or more sets are connected is the above value divided by the number of sets.

Note 2)

The signal line can be wired to a distance of up to approx. 3300' (1000m) with AWG 22 (Dia. 0.65mm) telephone wire.

*Standby battery

Be sure the control panel is equipped with adequate standby battery and charging circuit. Use 12V (at least) Nicd or lead acid battery with minimum capacity of 0.5AH.

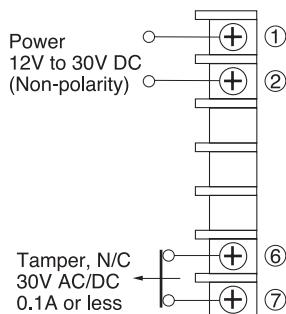
—Estimated battery life—

No. of pair	Md AA 0.5AH	Gel Cell 1.0AH	Gel Cell 5.0AH
1	5 hr	11 hr	58 hr
2	—	5 hr	29 hr
4	—	—	14 hr
8	—	—	7 hr

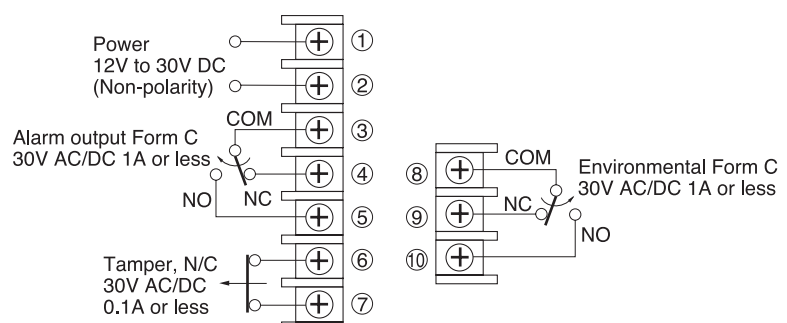
- Unit should be connected to a listed, class 2 power source capable of providing standby power for a minimum of 4 hours.

3. Terminal arrangement

[Transmitter]



[Receiver]

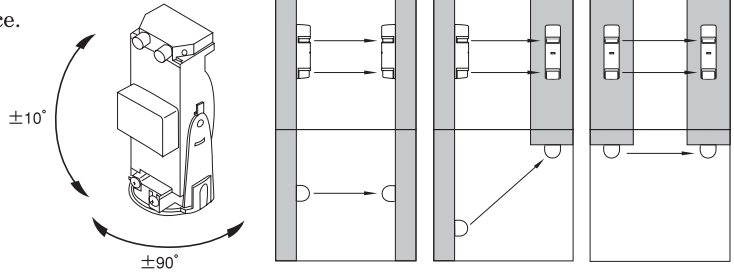


4. Mounting

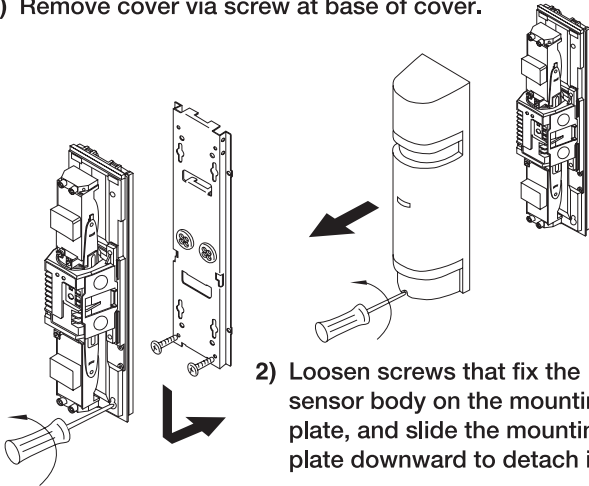
The units can be mounted easily on a pole or flat surface.

●Direction by rotary mirror.

Using the adjustment dial and adjustment screws, the mirrors can move horizontally (± 90 degrees) and vertically (± 10 degrees) allowing the sensor to work in all directions.



1) Remove cover via screw at base of cover.

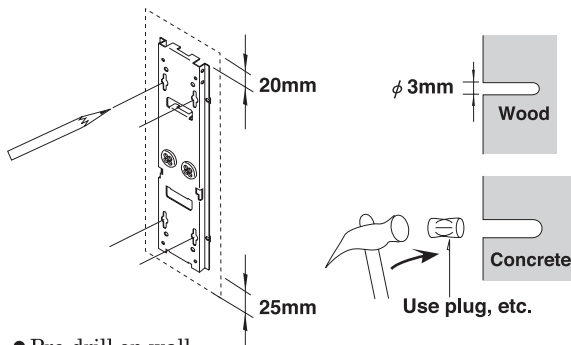


2) Loosen screws that fix the sensor body on the mounting plate, and slide the mounting plate downward to detach it.

3) Wall mounting

(1) Make holes in wall.

●Place the mounting plate on wall as a template for drilling and mark the screw holes. (Allow a space 3/4" (20mm) above the plate and 1" (25mm) below the plate. This will provide easy detachment of the cover after installation.)

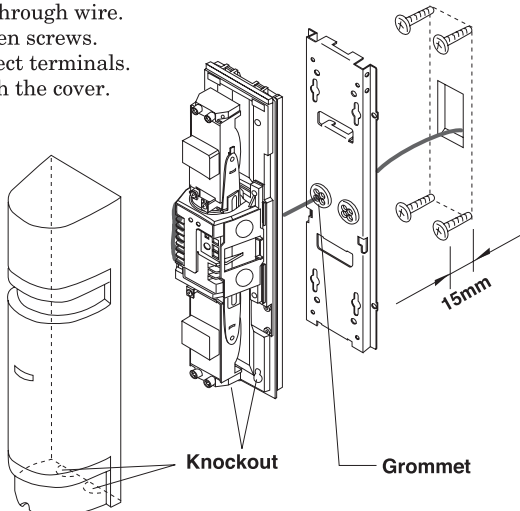


●Pre-drill on wall.

Concrete wall : Refer to specification of the securing plug used.
Wooden wall : 3mm dia.

(2) Install the sensor.

- Insert mounting screw leaving 1/2" (15mm) exposed.
- Install the mounting plate on exposed screws.
- Pull through wire.
- Tighten screws.
- Connect terminals.
- Attach the cover.

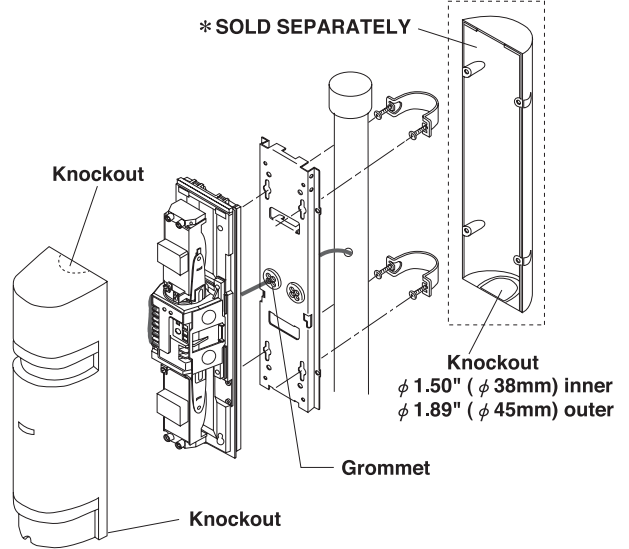


(3) The unit can not be installed in an outlet box. But the outlet box can be used for wire-lead.

4) Pole mounting

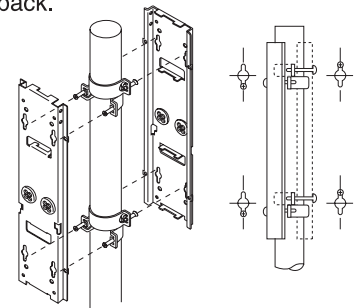
(1) Install sensor on pole.

- Attach U brackets to pole and secure to mounting plate with screws.
- Attach sensor body.
- Pull through wire.
- Connect terminals.
- Attach covers. (Break knockouts on cover and pole cover to adapt to pole diameter and configuration.)



(2) Pole mounting back to back.

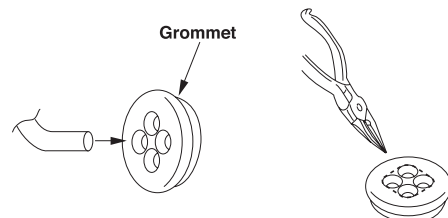
- Attach four U brackets to poles in two pairs, one on top of the other, facing opposite directions. (See illustration.)



※ The grommet is compatible with a wire of $\phi 0.12$ " ($\phi 3$ mm) to $\phi 0.24$ " ($\phi 6$ mm) outer dia.

When a wire of more than $\phi 0.24$ " ($\phi 6$ mm) outer dia. is used, cut off the dotted line portion on the below figure by pliers or the like.

Then make corking to prevent insects from entering into the unit.



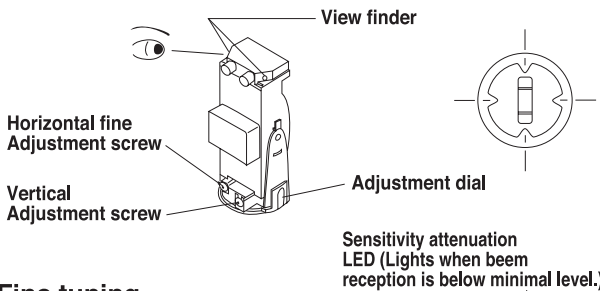
3 SET-UP OF FUNCTIONS AND BEAM ALIGNMENT

- 1) Supply power with cover detached.
- 2) Set function options.
(Refer to 5. FUNCTIONS DESCRIPTION for detailed explanation of each option.)

Location	Functions	Function Switches	
TR/RE	Beam channel (frequency)	<input type="checkbox"/> 1 ch. <input type="checkbox"/> 2 ch. <input type="checkbox"/> 3 ch. <input type="checkbox"/> 4 ch.	
TR. only	Beam power	<input type="checkbox"/> H <input type="checkbox"/> L	
RE. only	'Beep' alignment tone	<input type="checkbox"/> ON <input type="checkbox"/> OFF	
	Beam selector	<input type="checkbox"/> Upper <input type="checkbox"/> Lower	
	Response time adjustment	A	<input type="checkbox"/> 35msec. (standard)
		N	<input type="checkbox"/> 500msec. (MAX.)
O	<input type="checkbox"/> 100msec. <input type="checkbox"/> 200msec.		
	<input type="checkbox"/> 300msec. <input type="checkbox"/> 500msec.		

3) Adjust optical angle.

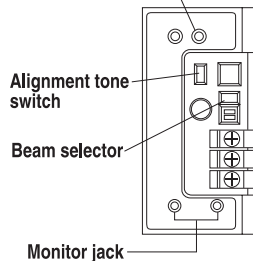
- 1) Look through view finder on either side of transmitter optical unit and move until receiver unit is visible.
- 2) Repeat the procedure for lower optical unit, and then repeat on receiver.



4) Fine tuning

Initial beam alignment can be achieved by using the alignment tone indicator.

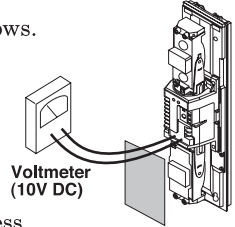
- 1) Set the beam selector at UPPER.
- 2) Attach the sensitivity checker (stored on side of RE) to the upper optic of RE.
- 3) Turn the receiver alignment tone switch to ON.
- 4) Adjust the optics with the adjustment screws until highest tone is reached. (Note : There will be no sound if the attenuation LED is lit.)
- 5) Set the beam selector at LOWER.
- 6) Reverse the procedure, i. e. attach sensitivity checker to lower optic of RE and repeat adjustment.
- 7) After adjustment, replace the sensitivity checker in storage area of RE.
- 8) Turn the alignment tone indicator to OFF.



- After initial beam alignment is completed, definitive alignment is achieved by using a voltmeter.
- 9) Set the beam selector at UPPER.
 - 10) Attach the sensitivity checker to the upper optic of RE. and blind the lower optic of RE.
 - 11) Insert leads from voltmeter in monitor jacks of RE.
 - 12) Read the voltage for the upper optics of RE.
 - 13) Reverse the procedure and check the voltage for the lower optics.

Readings for alignment are as follows.

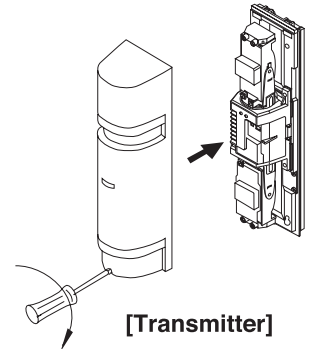
Alignment	Voltage reading [With checker]
Best	1.8V or more
Good	1.4 to 1.8V
Poor, Re-adjust	1.4V or less



*When monitor output is 1.4V or less, adjust beam alignment again.

5) Attach cover.

- 1) Attach transmitter cover, first.
- 2) Confirm that receiver sensitivity attenuation LED stays OFF. Place cover in position, but do not secure. A "beep" sound will occur after 5 seconds. After this signal, secure the receiver cover with screws.

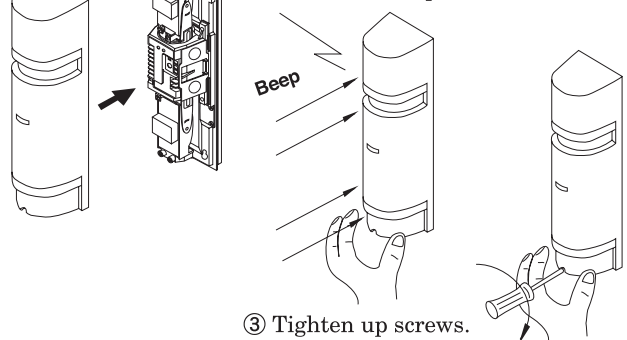


Note 1) Sensitivity allowance is automatically set when the beep sound is initiated.

- 2) If tone alignment switch is left accidentally ON, tone will stop when receiver cover is preattached.

[Receiver]

- 1) Pre-attach cover.
- 2) Confirm a Beep sound with the bottom end of cover lightly pushed not to interrupt the beam.



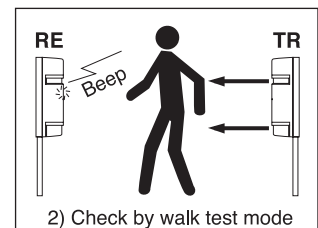
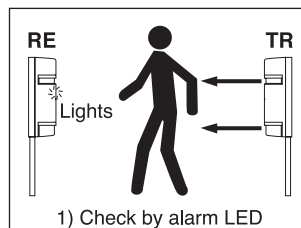
③ Tighten up screws.

- 3) If there is a continuous "beep" sound, detach receiver cover and re-adjust referring to section 5 part 3) Auto-gain lock function.

4 OPERATION CHECK

After installation, alignment and auto-gain set, test operation by walk testing the beam. Two methods may be used :

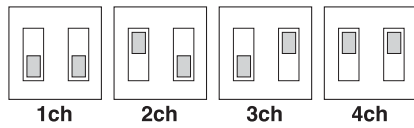
- 1) Alarm LED only.
- 2) Alarm LED and sound check via tone alignment switch. If tone alignment switch is set to "ON", tone will stop when cover is replaced but be effective for an audible test of operation for five minutes after auto-gain is locked.



5 FUNCTIONS DESCRIPTION

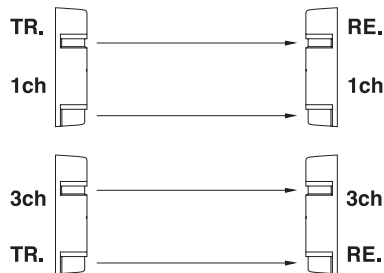
1. Four channel frequency selection

The beam pairs may be set at various frequency levels to avoid crosstalk between units which are stacked, in-line, or other configurations which have the potential of spill-over transmission from one beam to another. Set the frequency level as illustrated.

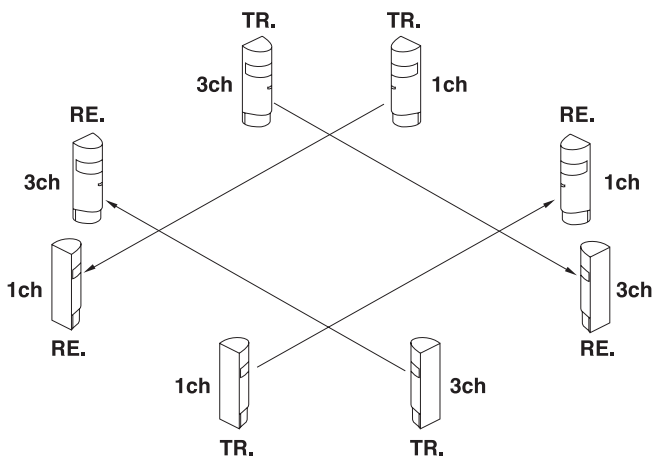


MAKE SURE TRANSMITTER AND RECEIVER OF PAIR ARE SET AT SAME CHANNEL ! Paired TR/RE will not set up unless set at the same channel.

2) Double stack protection



4) Perimeter protection



[Note]

- The use of a voltmeter for alignment is advised to ensure highest level of stability.

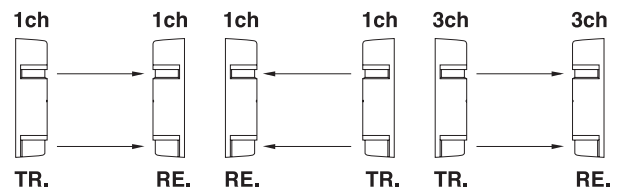
2. Beam power selection

This option allows field selection of the appropriate beam intensity relative to the application. For distance significantly less than the specified protection distance, the beam intensity should be reduced to eliminate potential reflection problems. For zones reaching maximum protection distance, the beam level should be set to the highest level.

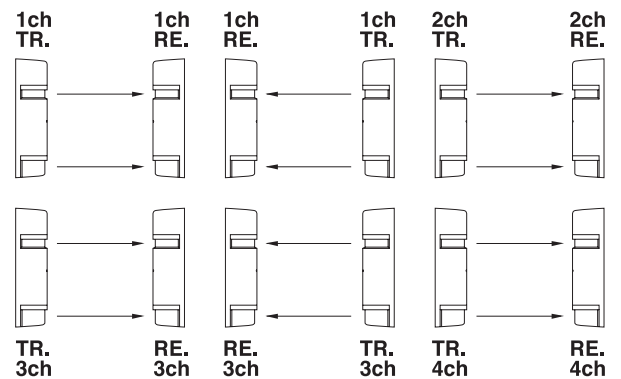
Note : For interior applications where greater chance for reflection occurs, the setting should be at LOW.

L	H
250' (75m) or less	Over 250' (75m) to 330' (100m)

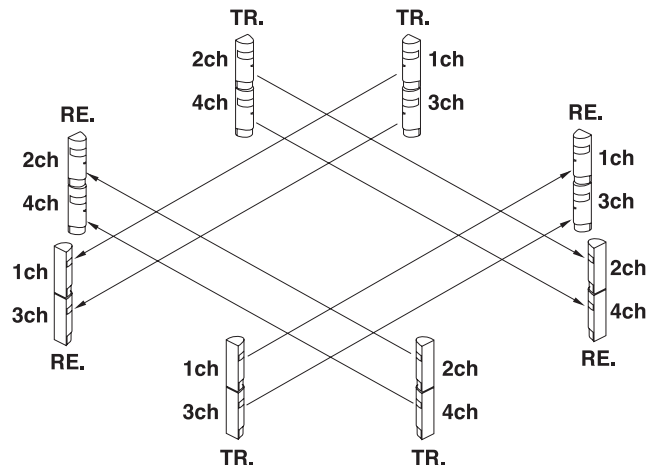
1) Linear protection



3) Double stacked linear protection



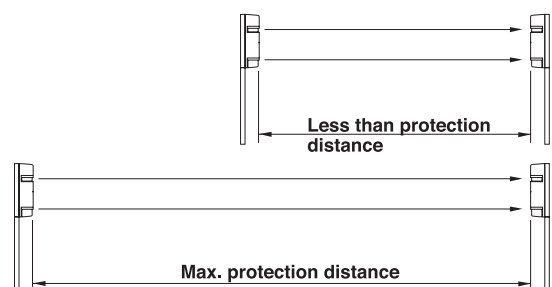
5) Perimeter double stacked protection



Do not fail to use PB-IN-100HF in combination with PB-IN-HF series when stacked installed (same directional transmission). The other models may cause malfunction.

3. Auto-gain lock function

- 1) The auto-gain lock serves to standardize the responsiveness and tolerance level of the units regardless of varying distance in an installation.



The situations above have exactly the same tolerance and responsiveness levels even though the distance are different.

2) A "beep" tone is issued from the receiver approximately 5 seconds after the cover is put into position. This tone indicates the Auto-gain has been set. Refer to the chart below.

Tone	Indicates	Result	Cause	Remedy
One pulse (Beep)	Optimal sensitivity has been set.	OK	_____	_____
Continuous tone (20 seconds)	Optimal sensitivity can not be set.	NG	1. Beam is interrupted once cover is replaced. 2. Beams are mis-aligned and sensitivity attenuation LED lights.	1. Remove any blockage items or ensure hand is not breaking beam if holding cover in temporary position. 2. Check beam power setting at transmitter with cover attached and re-adjust beam alignment.

Note 1) A tone is generated regardless of whether "beep" (alignment tone) switch is set to ON or OFF.

2) The auto-gain setting is locked in for approximately two weeks even if power is disrupted.

3) If the receiver cover is detached while power is supplied or if power is discontinued for longer than two weeks (but cover left in place), the auto-gain automatically reset to maximum sensitivity. (Gain is automatically locked with power re-supplied.)

4. Tone indicator

This feature provides audible testing or signals for the following items.

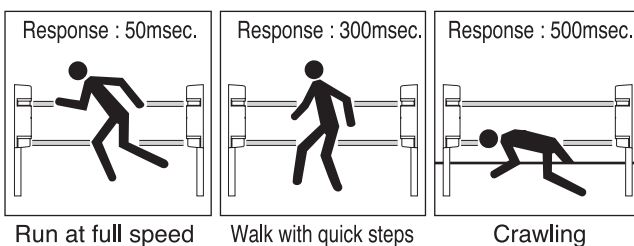
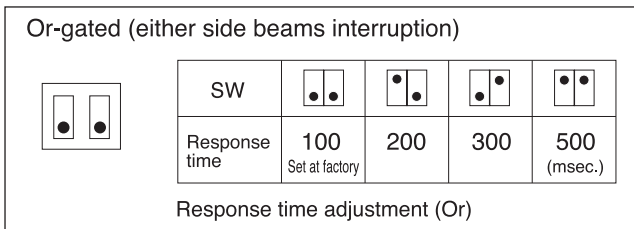
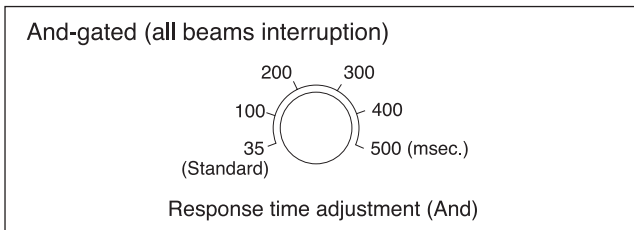
Test / Signal	Alignment tone switch	Other condition	Description
Beam alignment	ON	Receiver cover detached.	●Reception strength monitored. Tone pitch increases as reception improves. (Note : No tone is given if sensitivity attenuation LED is lit or if receiver cover is attached.)
Walk test	ON	For approx. 5 min. after gain is locked.	●Tone is linked to alarm LED. Both trip simultaneously.
Auto-gain lock	ON or OFF	After receiver cover is attached.	●Short tone indicates lock is set. Continuous tone (20sec.) indicates readjustment.

5. Response time changeover function (Dual response time system)

And-gated response time and OR-gated response time can be set separately.

- 1) An object passing through the beams faster than the set response time is undetected.
- 2) Adjust response time a little slower where the units may be affected by many birds.

Note) Set And-gated response time shorter (faster) than Or-gated response time.



6. Environmental Module

The environmental signal is initiated if the beam reception level is reduced to approx 25% or less.

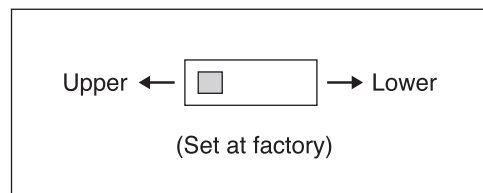
The module "Watches" for a gradual degradation of the beam reception which is indicative of extremely poor weather conditions.

7. Beam selector

Use when beam alignment is adjusted.

Only the beam reception level of the beam that is selected by the beam selector is indicated on sensitivity attenuation LED, Sound check tone and monitor output.

With cover attached, this function is canceled and sensitivity attenuation LED lights regardless of positioning of the selector even when either side of beam is attenuated.



6 TROUBLESHOOTING

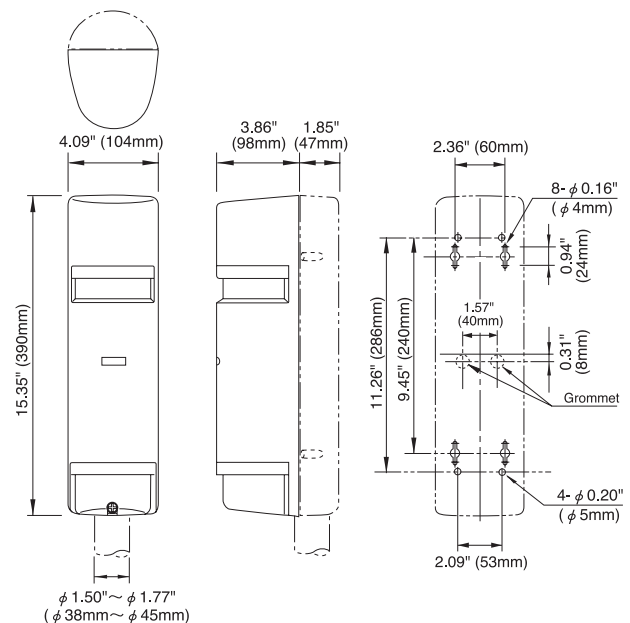
Symptom	Possible cause	Remedy
Operation LED does not light	1. Disruption of power or inadequate power 2. Bad wiring connection or broken wire, short	1. Correct power source 2. Check and correct wiring
Receiver Alarm LED does not light when the beam is broken	1. Disruption of power or inadequate power 2. Bad wiring connection or broken wire, short 3. Reflection of beam is flooding receiver and sent into the receiver 4. Beam interruption time is shorter than response time	1. Correct power source 2. Check and correct wiring 3. Remove reflecting object. Set beam power to Low. Contact Pulnix for further remedies 4. Adjust response time
Receiver Alarm LED stays lit	1. Alignment is off 2. Shading object between transmitter and receiver 3. Optics of units are soiled 4. Frequency channel setting on transmitter does not match with that on receiver	1. Check and adjust 2. Check site / remove any possible obstacles 3. Clean the optics with a soft cloth 4. Readjust to be the same channel
Intermittent alarm	1. Bad wiring connection 2. Change of supply voltage 3. Shading object between transmitter and receiver 4. The wiring of power machine is located nearby transmitter and receiver 5. Unstable installation of transmitter and receiver 6. Optics of units are soiled 7. Improper alignment 8. Small animals may pass through the 4 beams 9. Beam power switch is set at L, which does not keep enough sensitivity allowance	1. Check again 2. Stabilize supply voltage 3. Remove the shading object 4. Change the place for installation 5. Stabilize 6. Clean the optics with soft cloth 7. Check and re-adjust 8. Change environments or the place for installation 9. Set beam power switch at H and make the unit gain-locked with receiver cover detached

(Units should be tested on a regular weekly basis)

7 SPECIFICATIONS

Model	PB-IN-100AT
Detection system	Near infrared beam interruption system (TR,-RE 4 beams simultaneous interruption or upper 2 beams interruption or lower 2 beams interruption)
Infrared beam	Double modulation pulsed beam by LED
Protection distance	Outdoor 330' (100m) or less
Max. arrival distance	Tenfold 3300' (1000m)
Response time	Dual response time system 35-500msec. (AND gated) 100, 200, 300, 500msec. (OR gated)
Power supply	12V to 30V DC (non-polarity)
Current consumption	85mA or less at protection (Max. 120mA or less)
Alarm output	Dry contact relay output 1c Reset : Interruption time + off-delay (approx. 1.5 sec.) Contact capacity : 30V AC / DC, 1A or less
Environmental output	Dry contact relay : 1c Contact operation : Output when weather condition gets worse Contact capacity : 30V AC / DC, 1A or less
Tamper output	Dry contact relay : 1b Contact operation : Output when transmitter or receiver cover is detached Contact capacity : 30V AC / DC, 0.1A or less
Alarm LED	Red LED (receiver) lights when an alarm is initiated
Sensitivity attenuation LED	Red LED (receiver) lights when beam reception is attenuated
Functions	Modulated beam frequency selection, Tone indicator, Environmental module, Beam power selection, Beam selector, Programmed AGC. Auto-gain lock function, Monitor jack.
Beam adjustment	Horizontal : $\pm 90^\circ$, Vertical : $\pm 10^\circ$
Ambient temperature range	-31°F to $+151^\circ\text{F}$ (-35°C to $+66^\circ\text{C}$)
Mounting position	Outdoor
Wiring	Terminals
Weight	Transmitter : 42 oz (1200g) Receiver : 45.5 oz (1300g)
Appearance	PC resin (wine red)

8 EXTERNAL DIMENSIONS



Limited Warranty

TAKEX products are warranted to be free from defects in material and workmanship for 12 months from original date of shipment. Our warranty does not cover damage or failure caused by Acts of God, abuse, misuse, abnormal usage, faulty installation, improper maintenance or any repairs other than those provided by TAKEX. All implied warranties with respect to TAKEX, including implied warranties for merchantability and implied warranties for fitness, are limited in duration to 12 months from original date of shipment. During the Warranty Period, TAKEX will repair or replace, at its sole option, free of charge, any defective parts returned prepaid. Please provide the model number of the products, original date of shipment and nature of difficulty being experienced. There will be charges rendered for product repairs made after our Warranty Period has expired.

TAKEX TAKENAKA ENGINEERING CO., LTD.

In Japan

Takenaka Engineering Co., Ltd.
83-1, Gojo-sotokan, Higashino,
Yamashina-ku, Kyoto 607-8156, Japan
Tel : 81-75-501-6651
Fax : 81-75-593-3816
<http://www.takex-eng.co.jp/>

In the U.S.

Takex America Inc.
230E, Caribbean Drive
Sunnyvale, CA 94086, U.S.A.
Tel : 408-747-0100
Fax : 408-734-1100
<http://www.takex.com>

In Australia

Takex America Inc.
Unit 16/35 Garden Road, Clayton,
3168 Victoria, Australia
Tel : 03-9546-0533
Fax : 03-9547-9450

In the U.K.

Takex Europe Ltd.
Takex House, Aviary Court, Wade Road,
Basingstoke, Hampshire, RG24 8PE, U.K.
Tel : (+44) 01256-475555
Fax : (+44) 01256-466268
<http://www.takexeuropa.com>